

# Series DM

## 3-5 Port mechanical valve

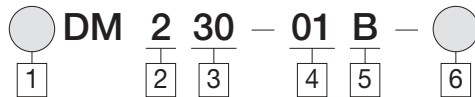


- Variety of actuator
- Easy to interchange actuator assemblies

### Specifications

Body type	DM230	DM330	DM450	DM550
Fluid	Air, inert gas			
Operating Pressure	0~7kgf/cm <sup>2</sup> (0~99.57psi)		1.5~7kgf/cm <sup>2</sup> (21.34~7psi)	
Effective Orifice (Cv)	11.0(0.6)	19.0(1.0)	14.0(0.7)	19.0(1.0)
Lubrication	Not Required			
Port Size	Rc(PT) 1/8	Rc(PT) 1/4	Rc(PT) 1/8	Rc(PT) 1/4
Weight (g)	88(3.1)	125(4.4)	163(5.75)	191(6.74)
Actuator	Basic, Roller Plunger, Roller, PushButton(Mushroom), Push Button			
Symbol				

### How to order



#### 1 MECHANICAL VALVE

Blank : Metric(PT)  
U : NPT

#### 2 BODY TYPE

2 : B Type  
3 : C Type  
4 : D Type  
5 : E Type

#### 3 TYPE OF ACTUATION

30 : 2 Position 3 Port N.O/N.C  
20 : 2 Position 5 Port

#### 4 Port size(Rc)

01 : 1/8  
02 : 1/4

#### 5 Actuator

Roller Bearing Type  
B : Basic type  
R : Roller plunger  
RB : Roller bearing type  
E : Push Button(Mushroom)  
R2 : One Way Roller  
RB2 : One Way Roller Bearing Type  
P : Push button(flush)  
S : Selector

#### 6 Switch color

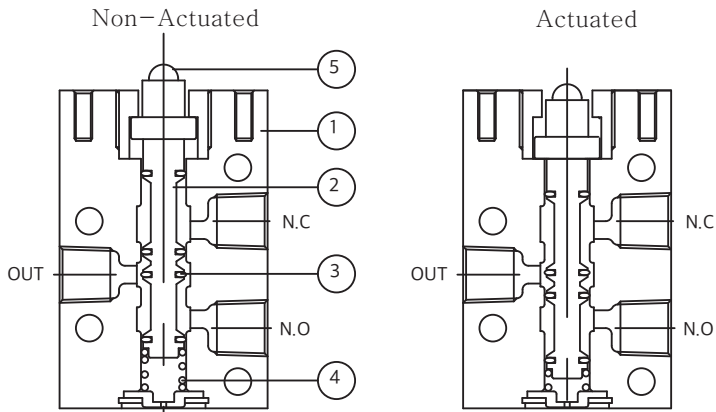
Blank : Red  
G : Green  
B : Block

※ The selector type is the Black basic type, No other colors)

B TYPE	C TYPE	D TYPE	E TYPE

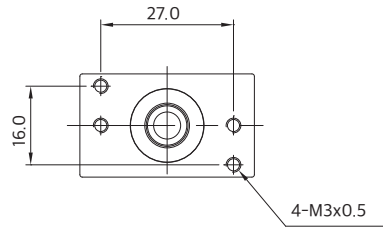
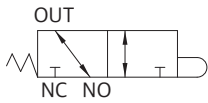
# Series DM

## DM230 Construction/Part List

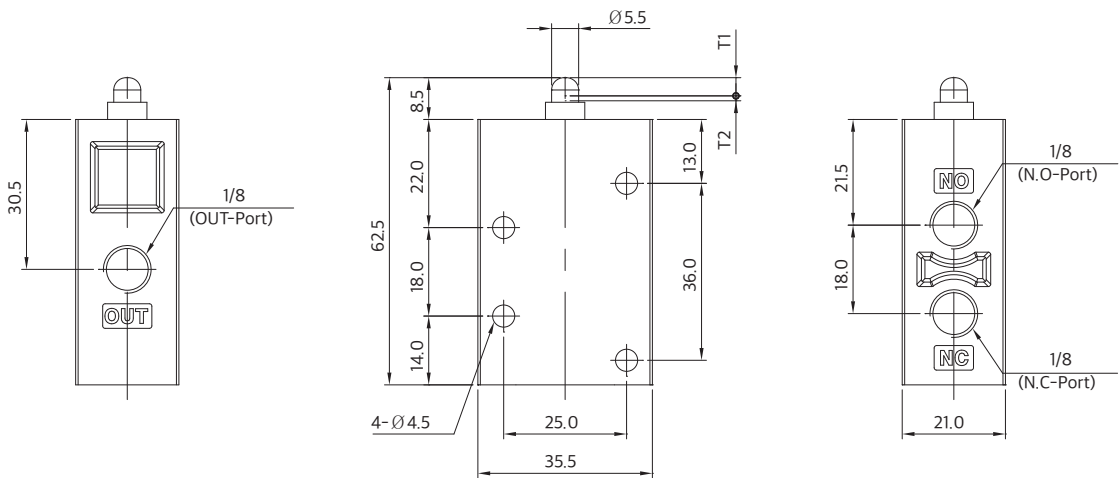


NO	Description	Material
1	BODY	AL DC
2	SPOOL	AL
3	PACKING	NBR
4	SPRING	SUS
5	BUTTON	SUS & BRASS

## DM230-01B(Standard Type)



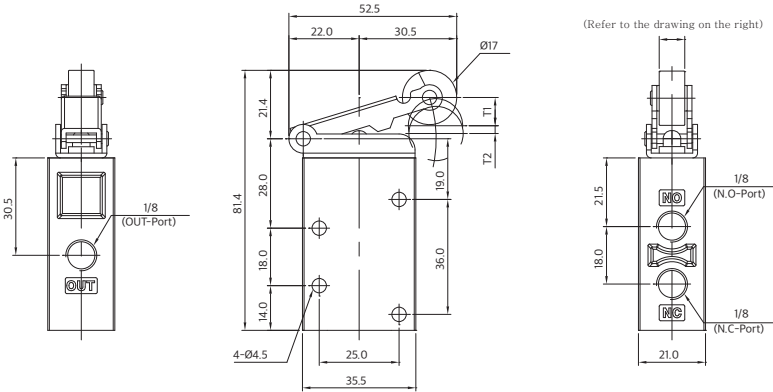
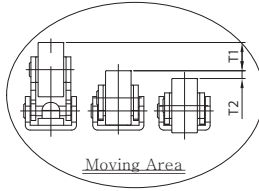
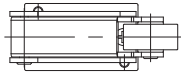
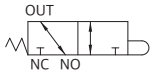
Specifications		
T <sub>1</sub>	Effective Moving Area	3.5 mm
T <sub>2</sub>	Non-Effective Moving Area	1.0 mm
F <sub>1</sub>	Force for Valid Operation	3.5 Kg
F <sub>2</sub>	Force for Invalid Operation	



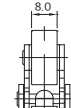
# 3-5 Port mechanical valve Series DM

## DM230-01R(Roller Type)/ DM230-01RB(Roller Bearing Type)

동작 사양		
T <sub>1</sub>	유효 동작 거리	8.5mm
T <sub>2</sub>	무효 동작 거리	2.0mm
F <sub>1</sub>	유효 조작에 필요한 하중	1.5 Kg
F <sub>2</sub>	무효 조작에 필요한 하중	



DM230-01R

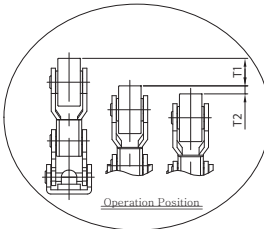
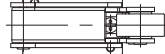


DM230-01RB

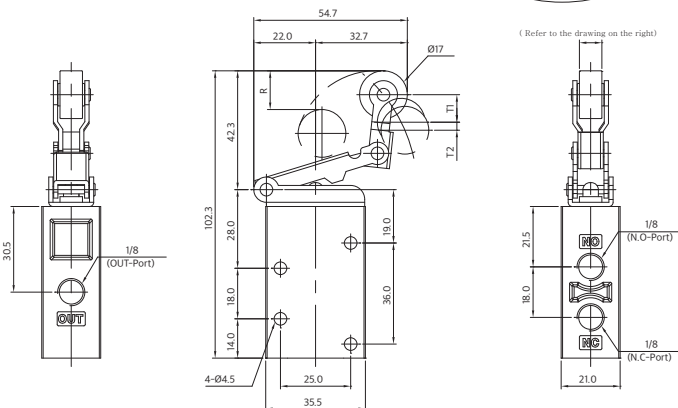


## DM230-01R2(One Way Roller Type) / DM230-01R2B(One Way Roller Bearing Type)

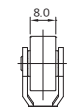
Specifications		
T <sub>1</sub>	Effective Moving Area	9.5mm
T <sub>2</sub>	Non-Effective Moving Area	3.0mm
F <sub>1</sub>	Force for Valid Operation	2.5 Kg
F <sub>2</sub>	Force for Invalid Operation	
R	Maximum settable operating position to return	13.5mm OR less



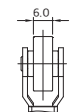
Effective Operating Direction →  
Non-Effective Operation Direction ←



DM230-01R2

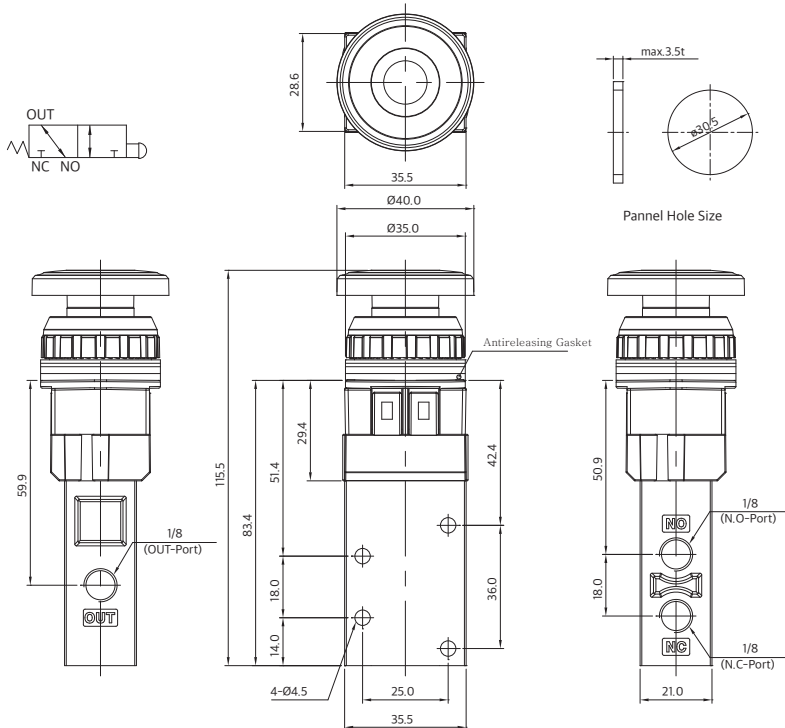


DM230-01R2B

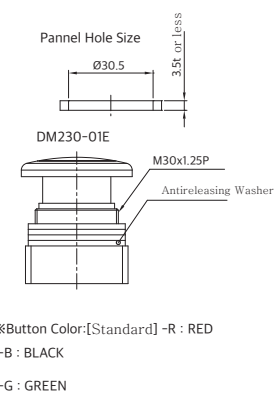


# Series DM

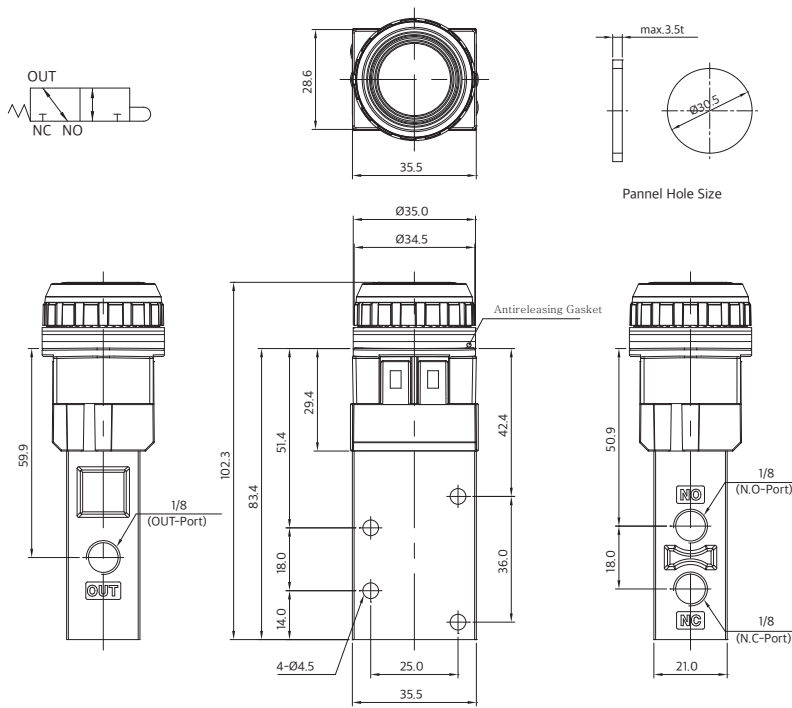
## DM230-01E(Mushroom Button Type)



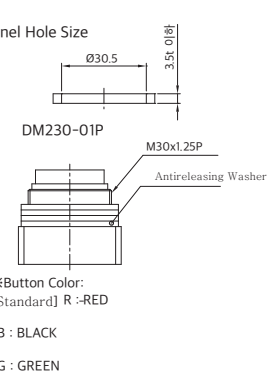
Specifications		
F <sub>1</sub>	Force for Valid Operation	2.5 Kg
F <sub>2</sub>	Force for Invalid Operation	



## DM230-01P(Push Button Type)

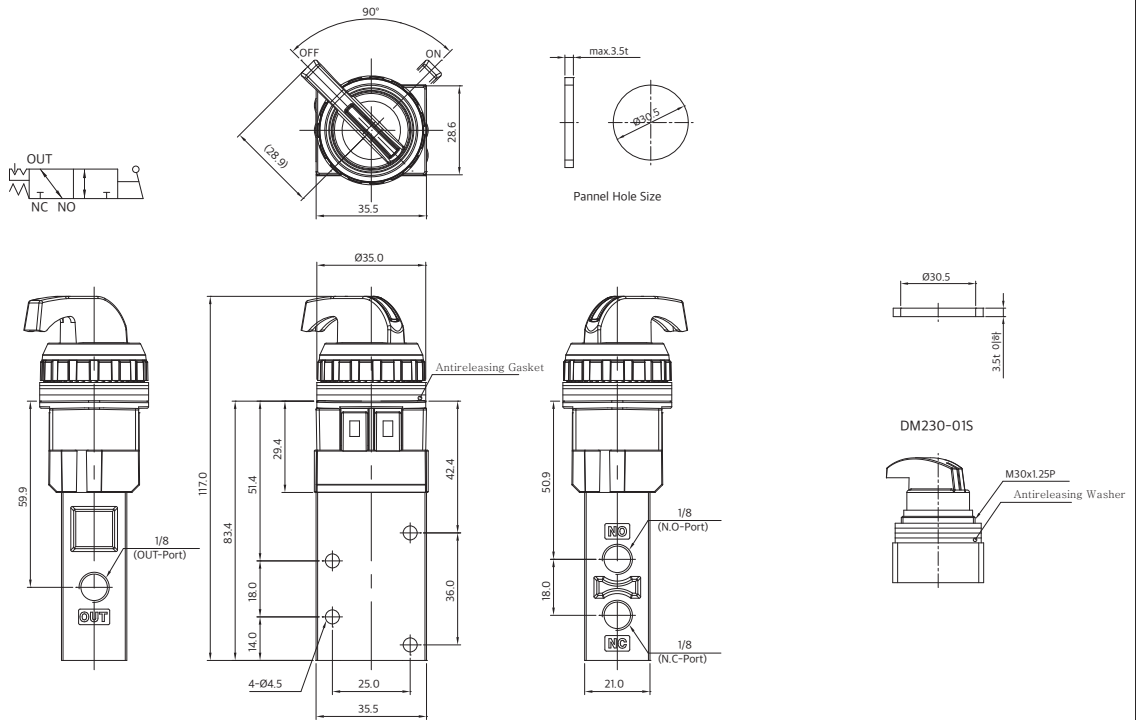


Specifications		
F <sub>1</sub>	Pressure for Valid Operation	2.5 Kg
F <sub>2</sub>	Pressure for Invalid Operation	

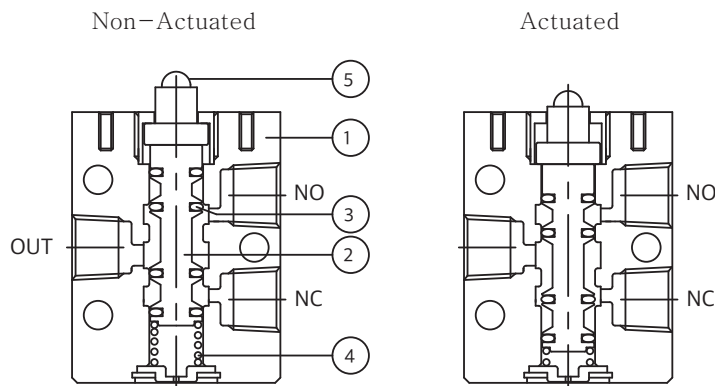


# 3-5 Port mechanical valve Series DM

## DM230-01S(Twist Selector Type)



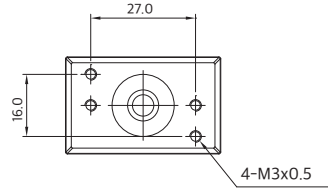
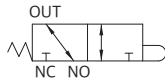
## DM330 Construction/Part List



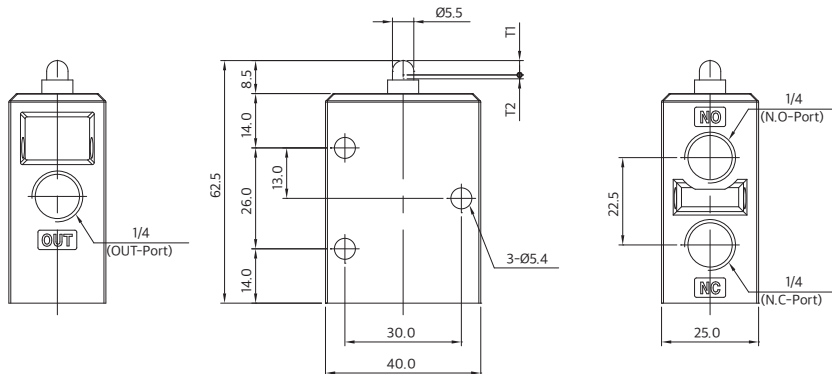
NO	Description	Material
1	BODY	AL DC
2	SPRING	AL
3	PACKING	NBR
4	SPRING	SUS
5	BUTTON	SUS & BRASS

# Series DM

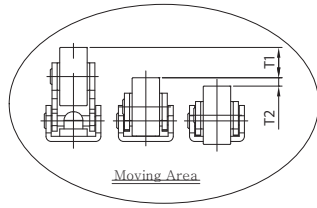
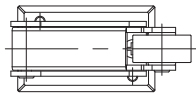
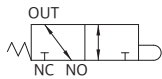
## DM330-02B(Standard Type)



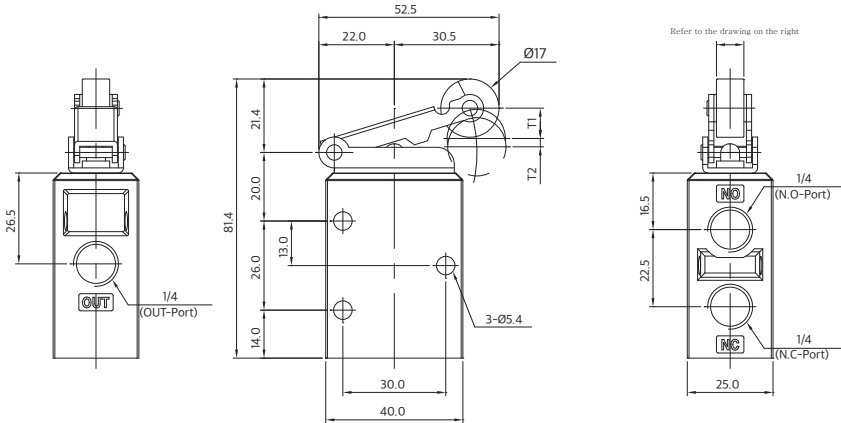
Specifications		
T <sub>1</sub>	Effective Moving Area	3.5 mm
T <sub>2</sub>	Non-Effective Moving Area	1.0 mm
F <sub>1</sub>	Pressure for Valid Operation	3.5 Kg
F <sub>2</sub>	Pressure for Invalid Operation	



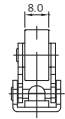
## DM330-02R(Roller Type)/DM330-02RB(Roller Bearing Type)



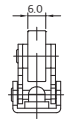
Specifications		
T <sub>1</sub>	Effective Moving Area	8.5 mm
T <sub>2</sub>	Non-Effective Moving Area	2.0 mm
F <sub>1</sub>	Pressure for Valid Operation	2.0 Kg
F <sub>2</sub>	Pressure for Invalid Operation	



DM330-02R

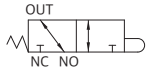


DM330-02RB

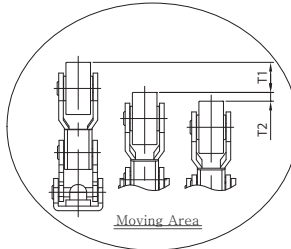


# 3-5 Port mechanical valve Series DM

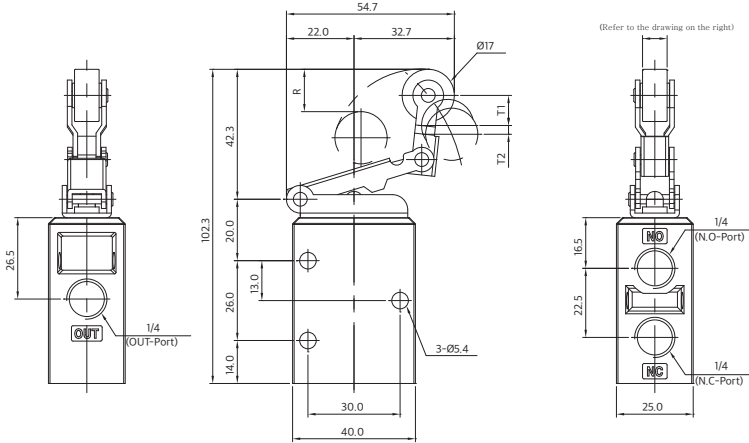
## DM330-02R2(Only Way Roller Type) / DM330-02R2B(Only Way Roller Bearing Type)



Effective Operating Direction  $\rightarrow$   
 Non-Effective Operation Direction  $\leftarrow$



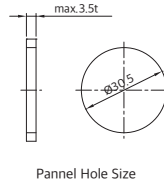
Specifications		
T <sub>1</sub>	Effective Moving Area	9.5 mm
T <sub>2</sub>	Non-Effective Moving Area	3.0 mm
F <sub>1</sub>	Pressure for Valid Operation	3.0 Kg
F <sub>2</sub>	Pressure for Invalid Operation	
R	Maximum set distance on return	13.5mm (min)



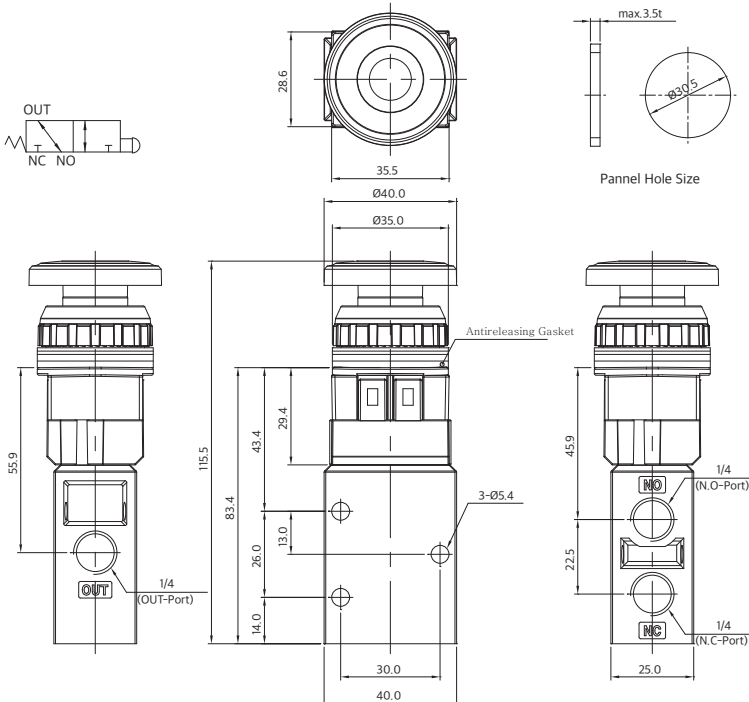
DM330-02R2

DM330-02R2B

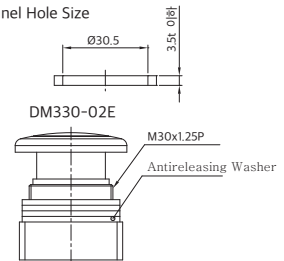
## DM330-02E(Mushroom Button Type)



Specifications		
F <sub>1</sub>	Effective Moving Area	3.5 Kg
F <sub>2</sub>	Non-Effective Moving Area	



Panel Hole Size



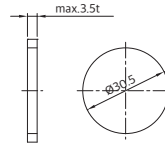
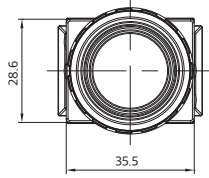
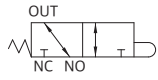
※Button Color:  
 [Standard] R : RED

-B : BLACK

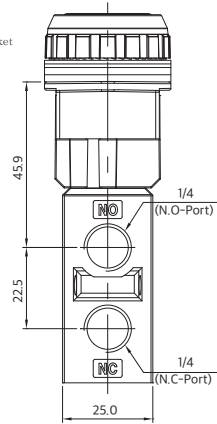
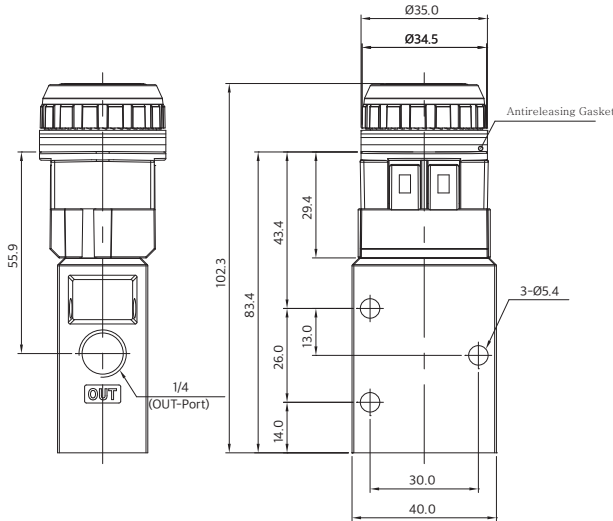
-G : GREEN

# Series DM

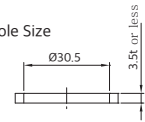
## DM330-02P(Push Button Type)



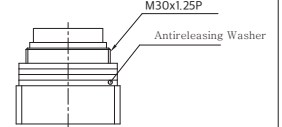
Panel Hole Size



Panel Hole Size



DM330-02



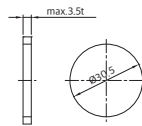
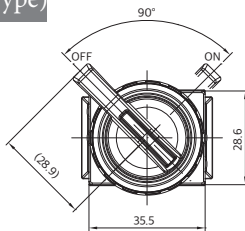
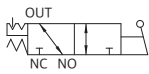
※Button Color:  
STANDARD) R: RED

-B : BLACK

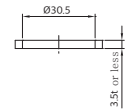
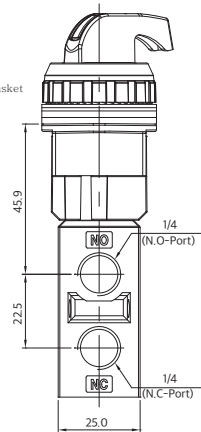
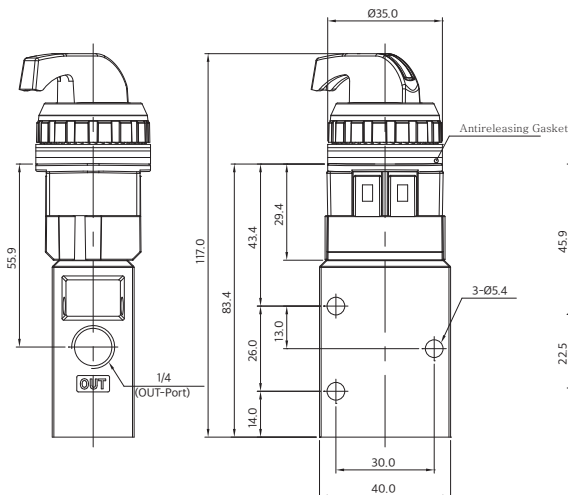
-G : GREEN

specifications		
F <sub>1</sub>	Pressure for Valid Operation	3.5 Kg
F <sub>2</sub>	Pressure for Invalid Operation	

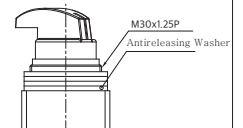
## DM330-02S(Twist Selector Type)



Panel Hole Size



DM330-02S

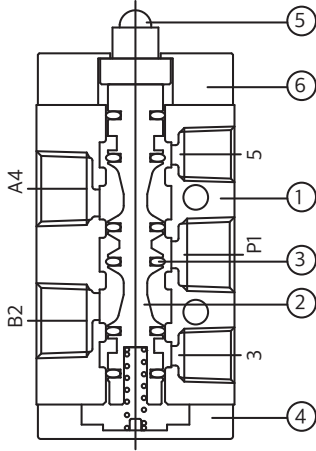




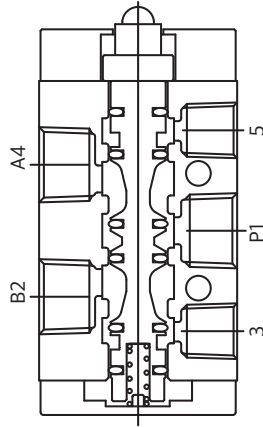
# 3-5 Port mechanical valve Series DM

## DM450 Construction/Part List

Non-Actuated

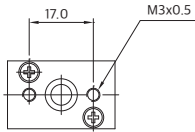


Actuated

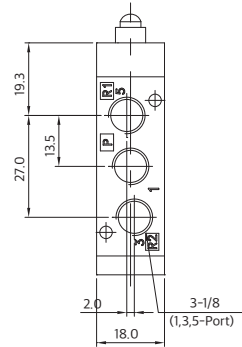
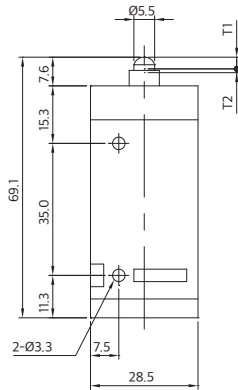
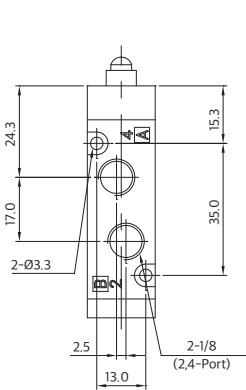


NO	Description	Material
1	BODY	AL DC
2	SPOOL	AL
3	PACKING	NBR
4	CAP	AL DC
5	BUTTON	SUS & BRASS
6	SEMI	Zn DC

## DM450-01B(Standard Type)

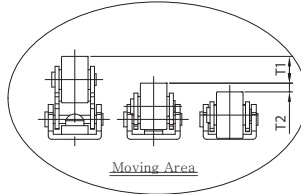
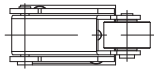


Specifications		
T <sub>1</sub>	Effective Moving Area	3.0 mm
T <sub>2</sub>	Non-Effective Moving Area	1.0 mm
F <sub>1</sub>	Force for Valid Operation	2.5 Kg
F <sub>2</sub>	Force for Invalid Operation	

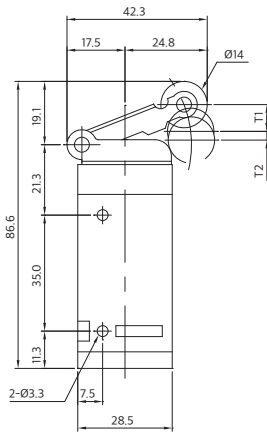
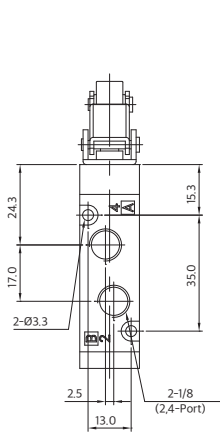


# Series DM

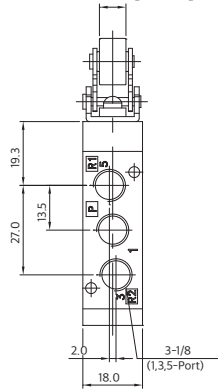
## DM450-01R(Roller Type)/ DM450-01RB(Roller Bearing Type)



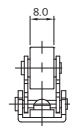
Specifications		
T <sub>1</sub>	Effective Moving Area	8.0mm
T <sub>2</sub>	Non-Effective Moving Area	2.5mm
F <sub>1</sub>	Force for Valid Operation	1.0Kg
F <sub>2</sub>	Force for Invalid Operation	



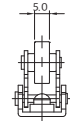
Refer to the drawing on the right



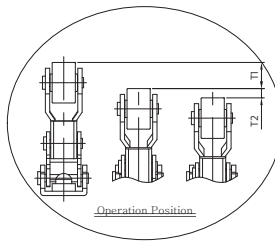
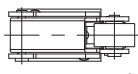
DM450-01R



DM450-01RB

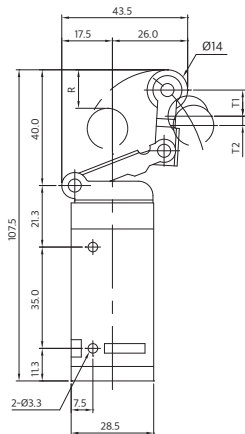
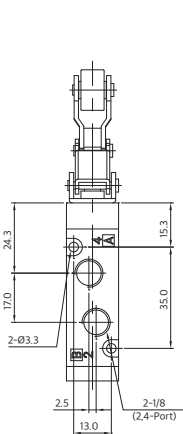


## DM450-01R2(One Way Roller Type) / DM450-01R2B(One Way Roller Bearing Type)

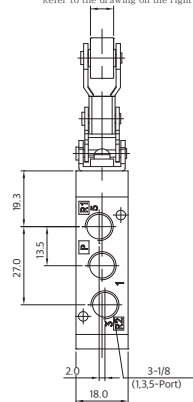


Effective Operating Direction →  
Non-Effective Operation Direction ←

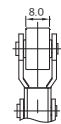
Specifications		
T <sub>1</sub>	Effective Moving Area	9.0mm
T <sub>2</sub>	Non-Effective Moving Area	3.0mm
F <sub>1</sub>	Force for Valid Operation	2.0Kg
F <sub>2</sub>	Force for Invalid Operation	
R	Maximum settable operating position to return	2.0mm or less



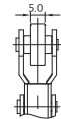
Refer to the drawing on the right



DM450-01R2

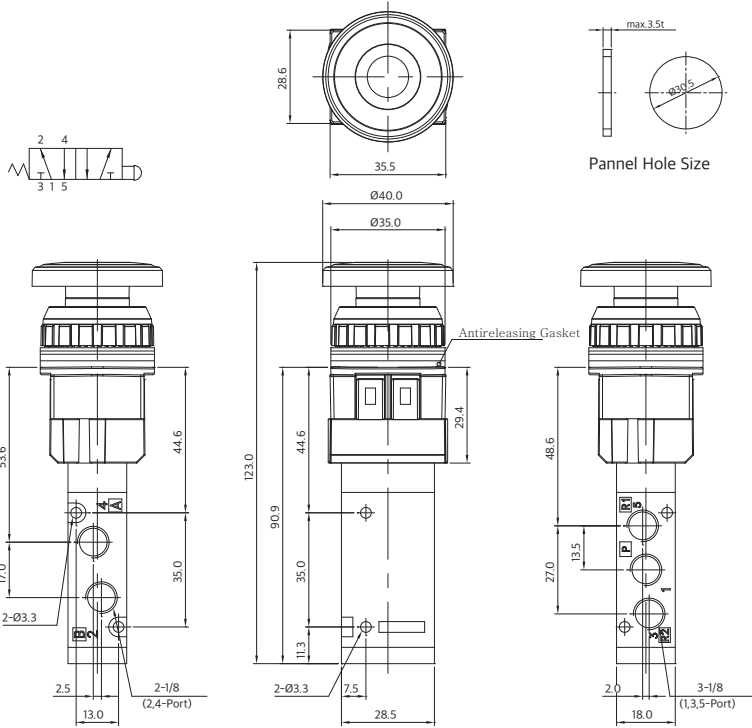


DM450-01R2B



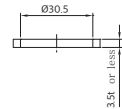
# 3-5 Port mechanical valve **Series DM**

## DM450-01E(Mushroom Button Type)

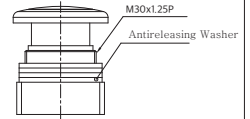


Specifications		
F <sub>1</sub>	Force for Valid Operation	2.0 Kg
F <sub>2</sub>	Force for Invalid Operation	

Pannel Hole Size

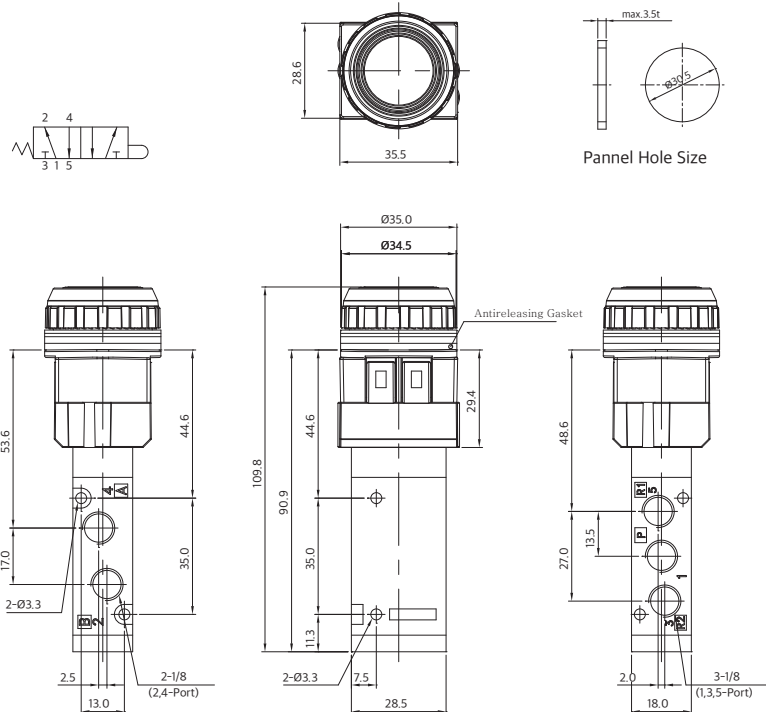


DM450-01E



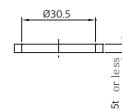
- ※Button Color:  
 [STANDARD] R : RED  
 -B : BLACK  
 -G : GREEN

## DM450-01P(Push Button Type)

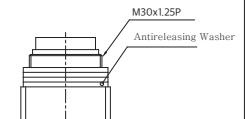


Specifications		
F <sub>1</sub>	Pressure for Valid Operation	2.0 Kg
F <sub>2</sub>	Pressure for Invalid Operation	

Pannel Hole Size



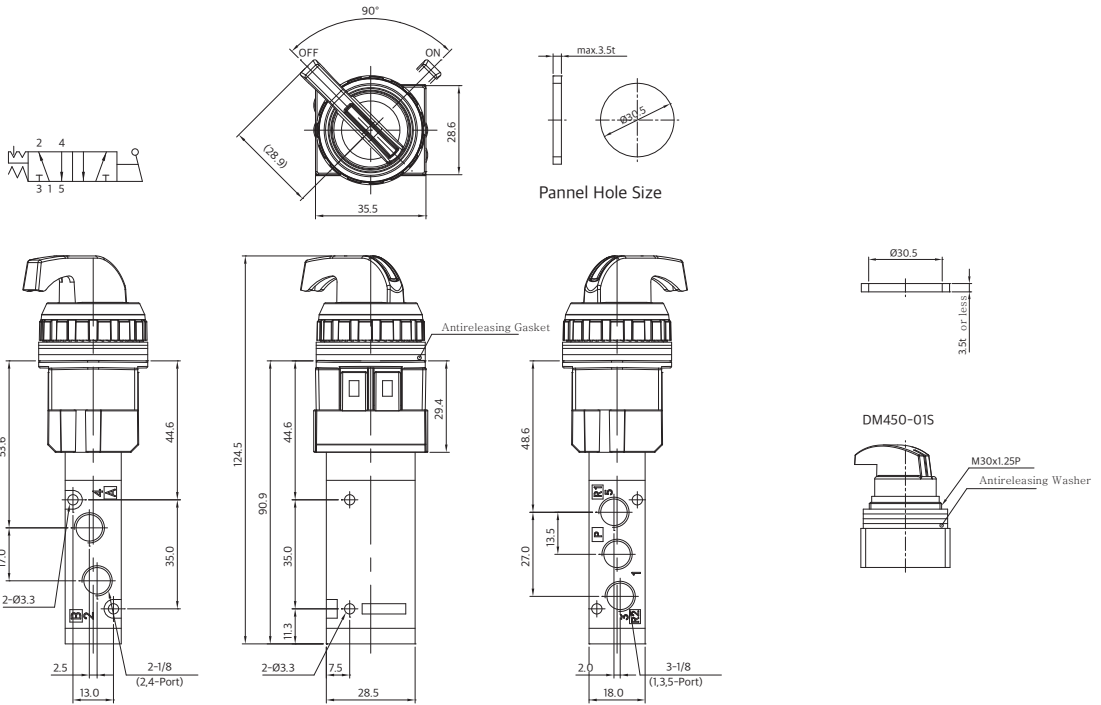
DM450-01P



- ※Button Color:  
 [STANDARD] -R : RED  
 -B : BLACK  
 -G : GREEN

# Series DM

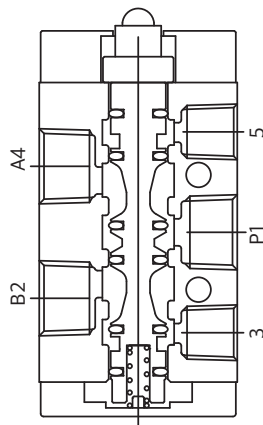
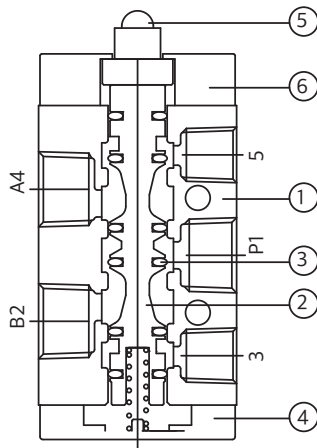
## DM450-01S(Twist Selector Type)



## DM550 Construction/Part List

Non-Actuated

Actuated



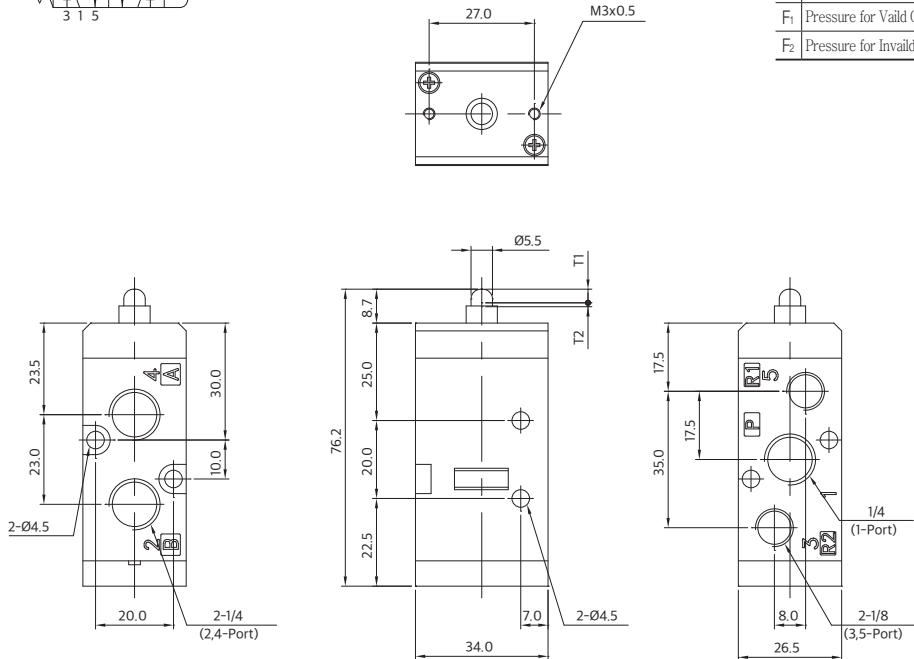
NO	Description	Material
1	BODY	AL DC
2	SPOOL	AL
3	PACKING	NBR
4	CAP	AL DC
5	BUTTON	SUS & BRASS
6	SEMI	Zn DC

# 3-5 Port mechanical valve Series DM

## DM550-02B(Standard Type)



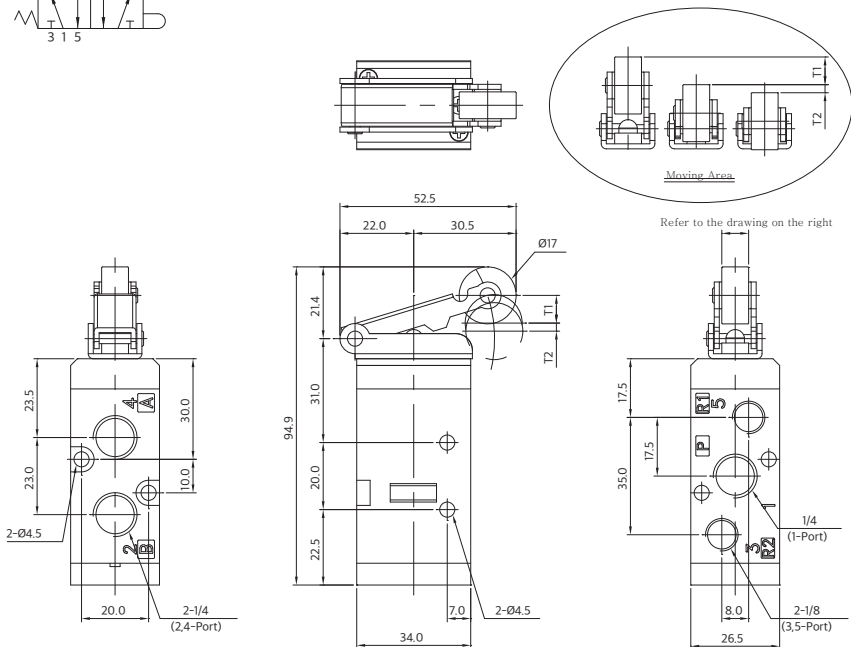
Specifications		
T <sub>1</sub>	Effective Moving Area	3.5 mm
T <sub>2</sub>	Non-Effective Moving Area	1.0 mm
F <sub>1</sub>	Pressure for Valid Operation	
F <sub>2</sub>	Pressure for Invalid Operation	3.8 Kg



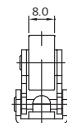
## DM550-02R(Roller Type)/DM550-02RB(Roller Bearing Type)



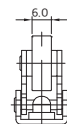
Specifications		
T <sub>1</sub>	Effective Moving Area	8.0 mm
T <sub>2</sub>	Non-Effective Moving Area	2.0 mm
F <sub>1</sub>	Pressure for Valid Operation	
F <sub>2</sub>	Pressure for Invalid Operation	2.0 Kg



DM550-02R

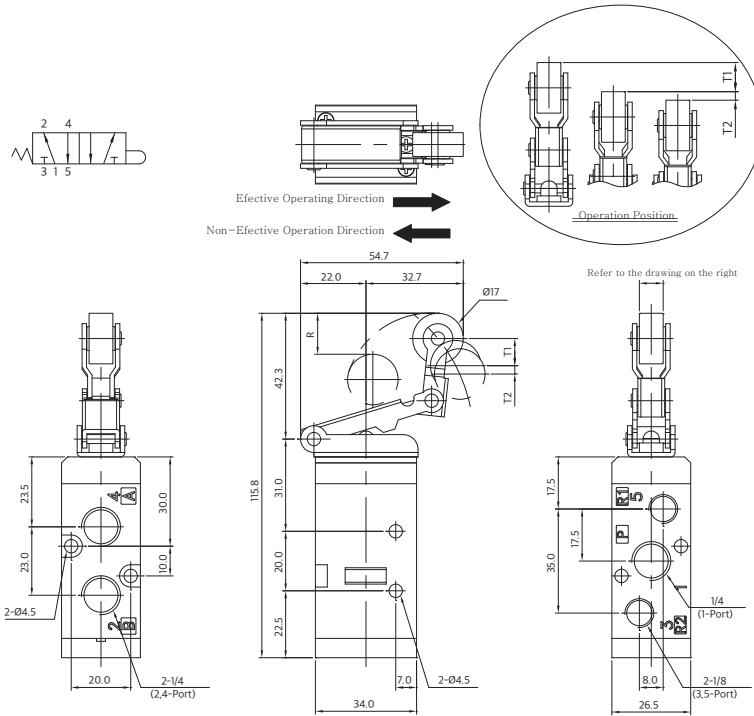


DM550-02RB



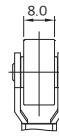
# Series DM

## DM550-02R2(Only Way Roller Type) / DM550-02R2B(Only Way Roller Bearing Type)



Specifications		
T <sub>1</sub>	Effective Moving Area	9.0mm
T <sub>2</sub>	Non-Effective Moving Area	2.5mm
F <sub>1</sub>	Force for Valid Operation	
F <sub>2</sub>	Force for Invalid Operation	3.0Kg
R	Maximum settable operating position to return	13.5mm or less

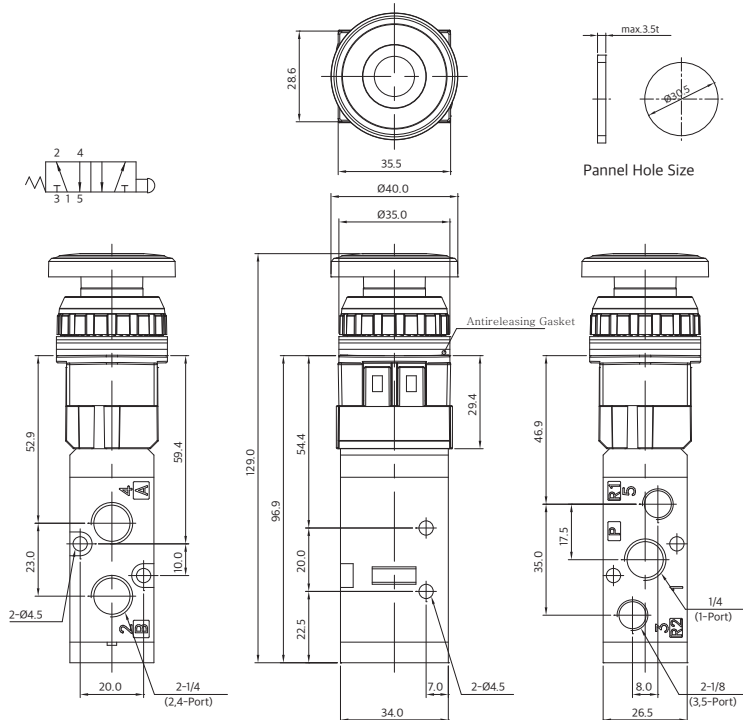
DM550-02R2



DM550-02R2B

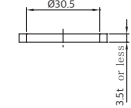


## DM550-02E(Mushroom Button Type)

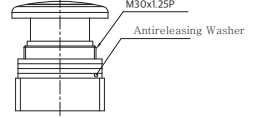


Specifications		
F <sub>1</sub>	Force for Valid Operation	
F <sub>2</sub>	Force for Invalid Operation	2.5Kg

Panel Hole Size



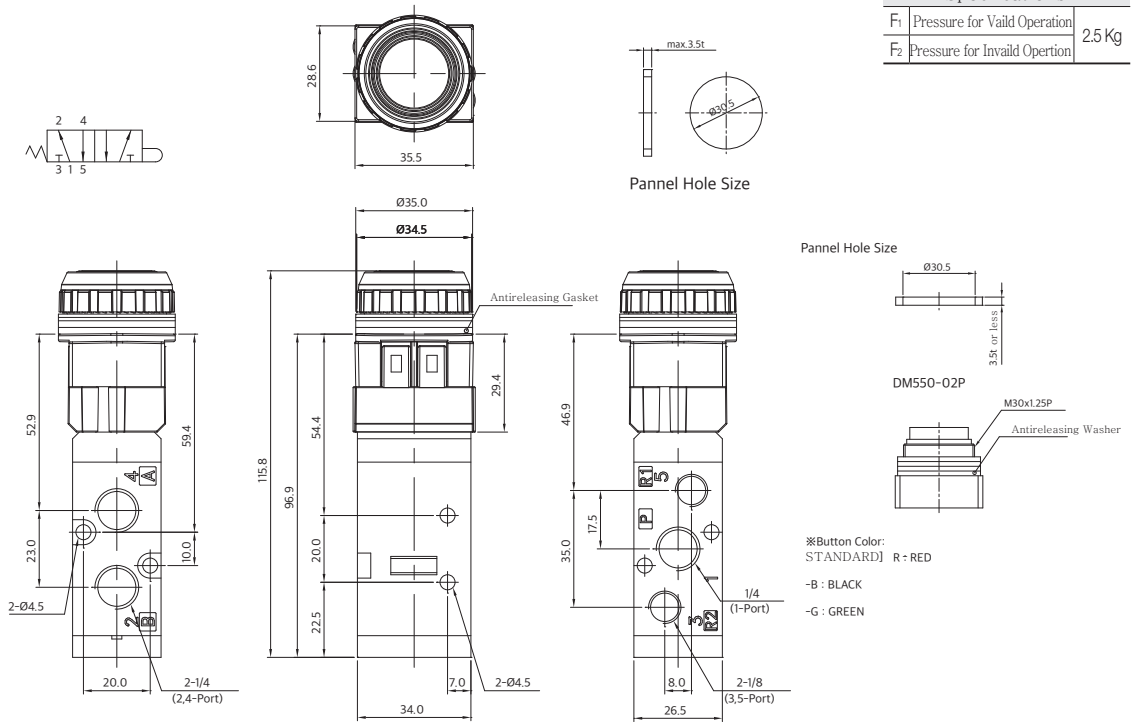
DM550-02E



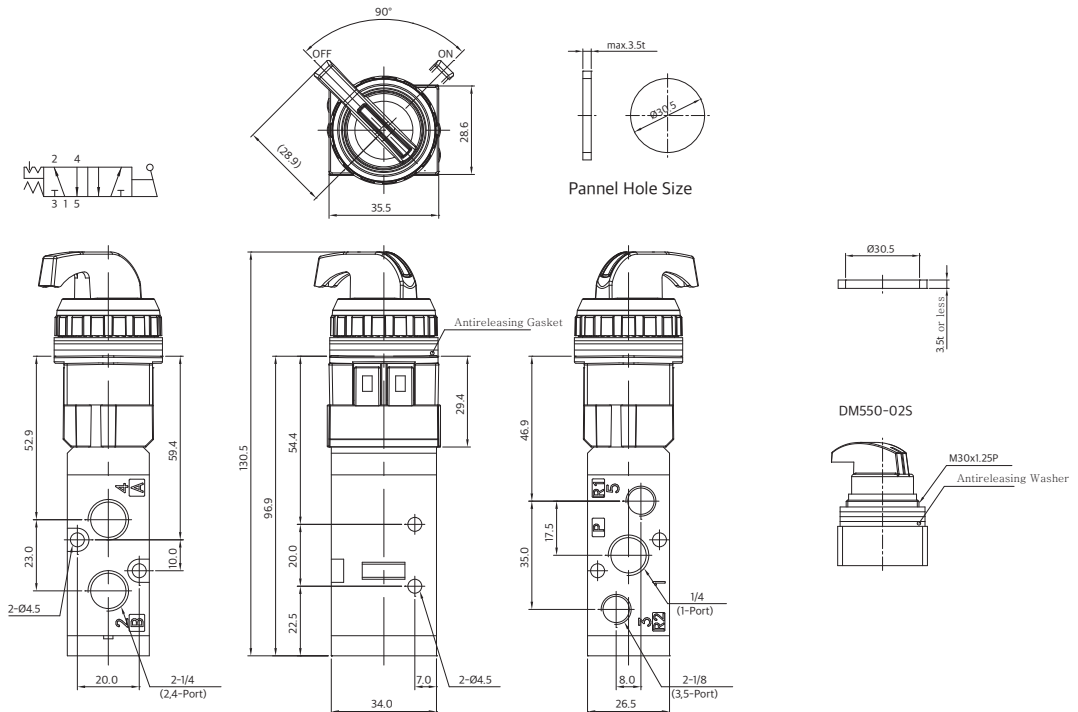
※Button Color:  
 STANDARD] R: RED  
 -B: BLACK  
 -G: GREEN

# 3-5 Port mechanical valve Series DM

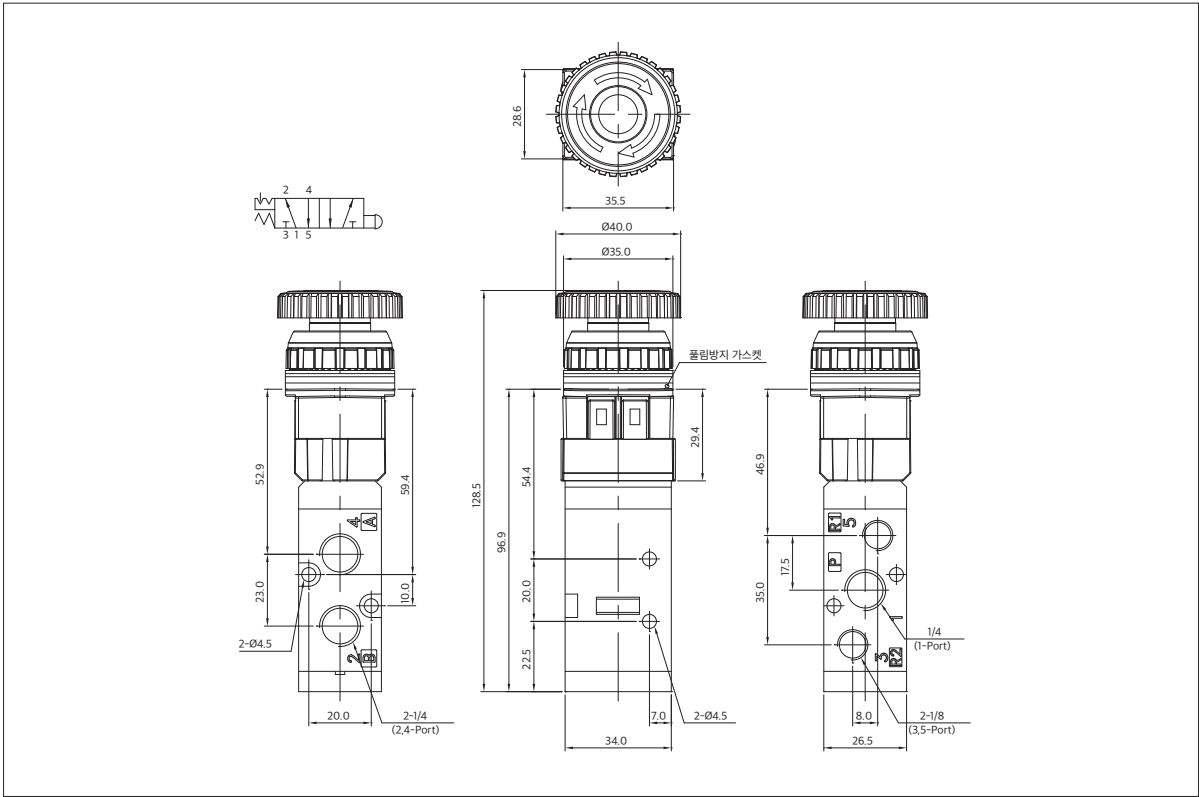
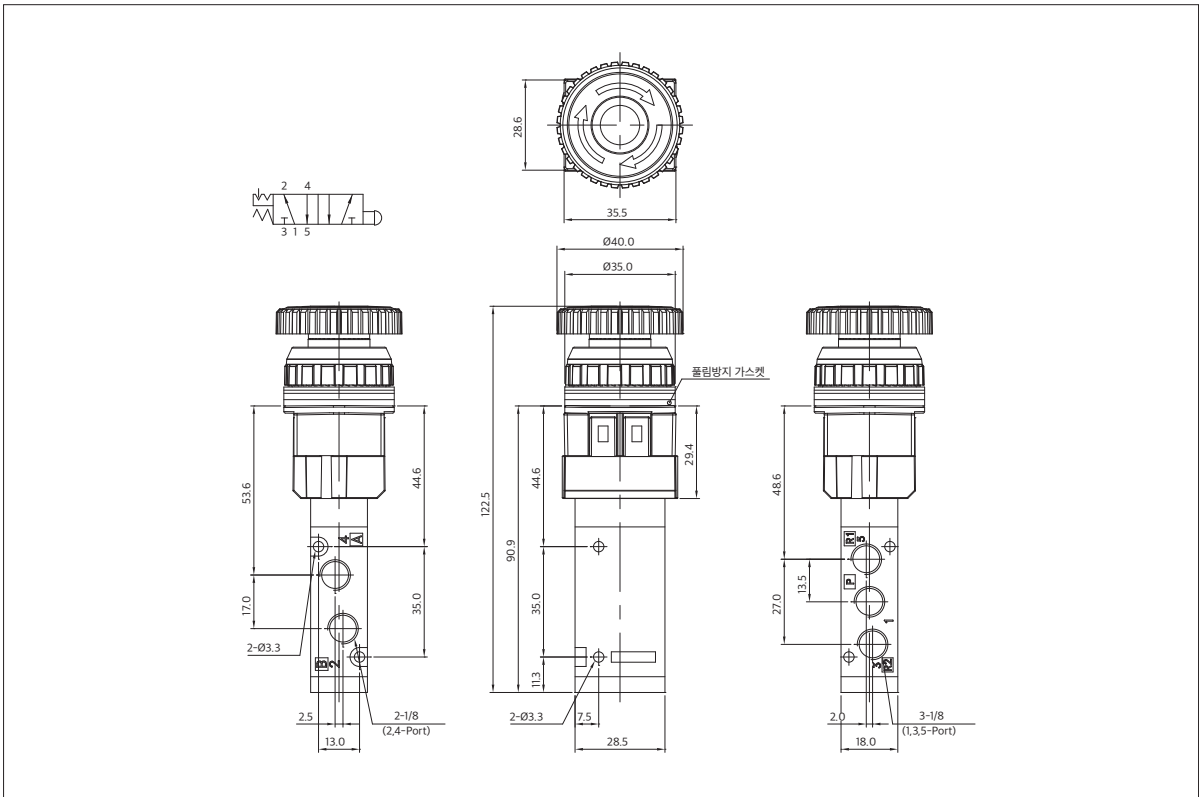
## DM550-02P(Push Button Type)



## DM550-02S(Twist Selector Type)



# Series DM





# 3-5 Port mechanical valve Series DM

